

INSTRUCTIONS

AIR HORN MAINTENANCE LESLIE TYPES S-2A, S-3B, AND S-3K



INSPECTION AND MAINTENANCE

(See Fig. 2)

To inspect and clean the diaphragm and diaphragm ring (5), remove the back-cover cap screws (2) and take off the back cover (1).

The diaphragm ring and diaphragm can be removed by taking out the diaphragm ring screws (4).

Wipe the nozzle, diaphragm and diaphragm ring clean with a dry, clean cloth.

Whenever a back cover is removed, it is good practice to blow out the air line by opening the operating valve wide with full reservoir pressure on the line. This will also clean out the orifice dowel pin.

When replacing the back cover, install the lock washers (3) and tighten the back-cover cap screws firmly. No adjustments can be made to this horn. Rewire the back-cover cap screws.

REPLACING OR REVERSING HORN

Remove the horn cap screws (9) and pull the horn (10) out carefully. Before replacing or reversing the horn, the outer surface of the small end should be coated with varnish.

Clean the gasket faces of the diaphragm housing (6) and horn.

Be sure to replace the gaskets (7).

Install the lock washers (8) and tighten the horn cap screws firmly. Rewire the cap screws.

If it is ever necessary to replace the orifice dowel pin, insert it into the horn with the orifice facing outward and in line with the rib of the horn.

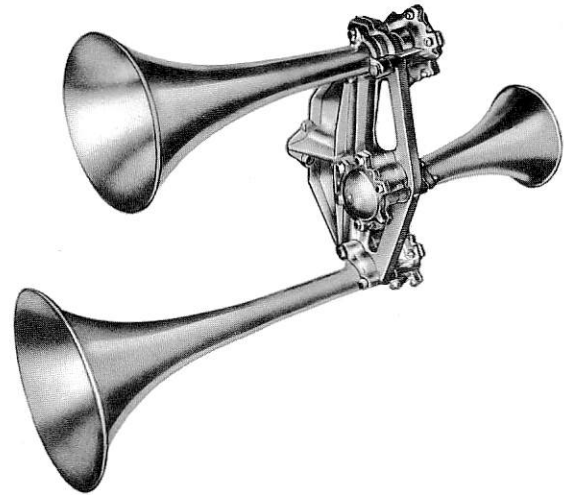
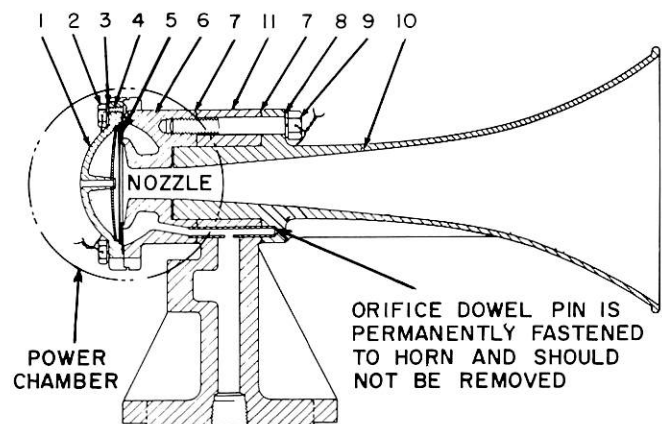


Fig. 1. Leslie type air horn (E-10329)

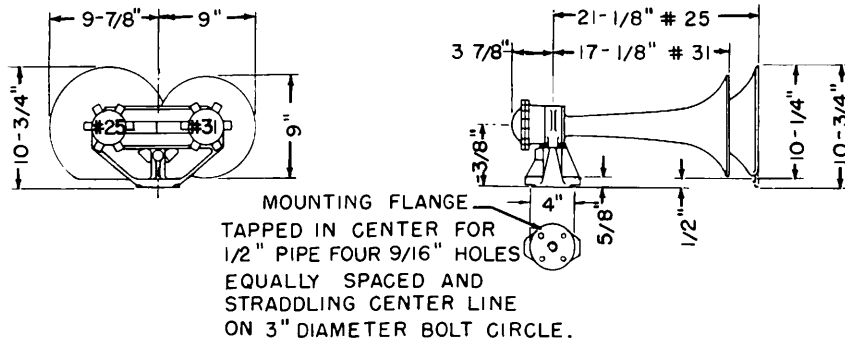


- | | |
|------------------------|---------------------|
| 1 Back cover | 6 Diaphragm housing |
| 2 Cap screw | 7 Gasket |
| 3 Lockwasher | 8 Lockwasher |
| 4 Diaphragm ring screw | 9 Horn cap screw |
| 5 Diaphragm | 10 Horn |
| | 11 Horn base |

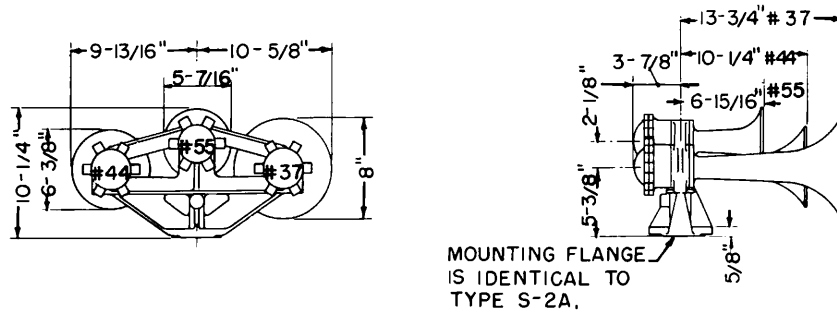
Fig. 2. Sectional view of air horn (E-6262B)

These instructions do not purport to cover all details or variations in equipment nor to provide for every possible contingency to be met in connection with installation, operation or maintenance. Should further information be desired or should particular problems arise which are not covered sufficiently for the purchaser's purposes, the matter should be referred to the General Electric Company.

S-2A CHIME HORN



S-3B CHIME HORN



S-3K CHIME HORN

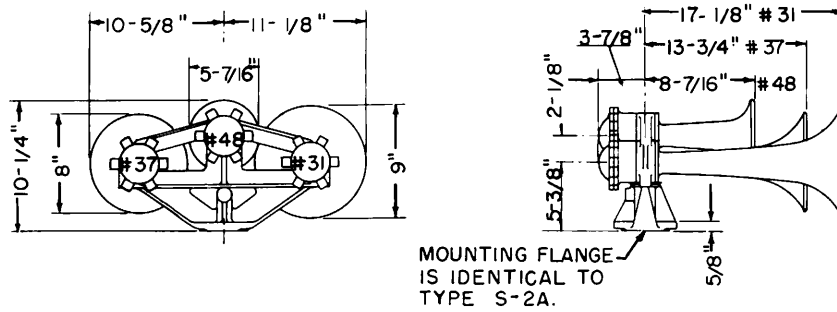


Fig. 3. Types of horns (E-6265A)

