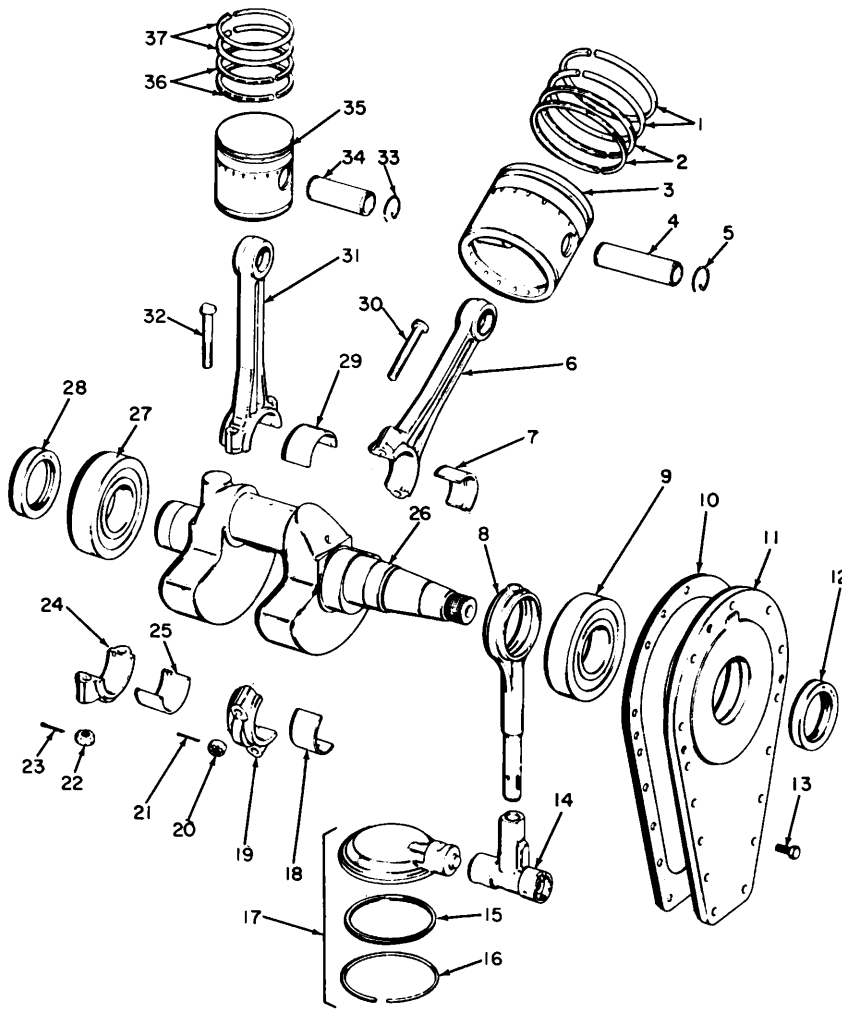


GEI-81995A Type 3-CWDL Air Compressor



- | | | | |
|----|---|----|--|
| 1 | Compression rings (low-pressure cylinder) | 20 | Castle nut |
| 2 | Oil rings (low-pressure cylinder) | 21 | Cotter |
| 3 | Piston (low-pressure cylinder) | 22 | Castle nut |
| 4 | Wrist pin | 23 | Cotter |
| 5 | Wrist pin snap ring | 24 | Connecting rod and cap (see 31) |
| 6 | Connecting rod and cap (see 19) | 25 | Connecting rod bearing half (see 29) |
| 7 | Connecting rod bearing half (see 18) | 26 | Crankshaft |
| 8 | Oil pump plunger | 27 | Ball bearing |
| 9 | Ball bearing | 28 | Oil seal |
| 10 | Main bearing housing gasket | 29 | Connecting rod bearing half (see 25) |
| 11 | Main bearing housing gasket | 30 | Bolt |
| 12 | Oil seal | 31 | Connecting rod and cap (see 24) |
| 13 | Hex head screw | 32 | Bolt |
| 14 | Oil pump cartridge | 33 | Wrist pin snap ring |
| 15 | Screen | 34 | Wrist pin |
| 16 | Screen retainer | 35 | Piston (high-pressure cylinder) |
| 17 | Oil filter assembly | 36 | Oil rings (high-pressure cylinder) |
| 18 | Connecting rod bearing half (see 7) | 37 | Compression rings (high-pressure cylinder) |
| 19 | Connecting rod and cap (see 6) | | |

Fig. 12. Type 3CWDL air compressor components

LOCOMOTIVE AND CAR EQUIPMENT DEPARTMENT, GENERAL ELECTRIC COMPANY, ERIE, PA.

Fig. 12. (E-13337)